

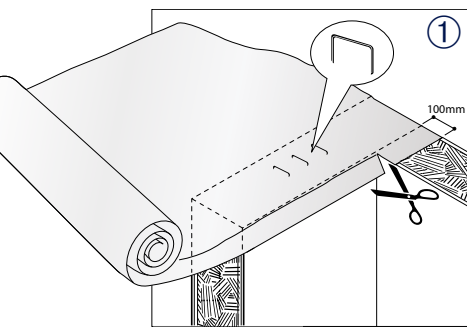


Daltex[®] FloorTX FCM

Daltex[®] low resistance vapour permeable air barrier floor cassette membrane

Daltex[®] FloorTX FCM has been developed to provide an air and watertight envelope around the external face of floor cassettes. It offers temporary protection for the structure from wind-driven rain and snow whilst remaining vapour permeable to minimise condensation forming at the edge of the floor cassettes and junction with the wall panels. Additionally, sealing it to the air and vapour barrier on the wall panels provides air tightness to the intersection between the floor cassette and walls.

Follow the installation instructions for optimal results.



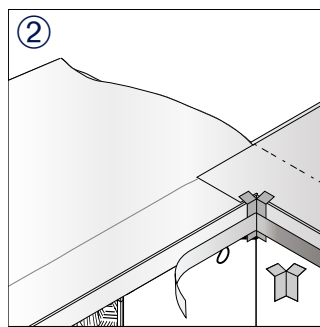
Step 1

To begin the installation process, commence at a corner and carefully position the FloorTX[®] FCM membrane atop the stud wall, ensuring a generous 95mm overhang on the inner side of the airtightness barrier membrane. You should align the FloorTX[®] FCM membrane with the outermost edge of the wall. Next, securely fasten the membrane in place by stapling it on top.

Next, create a small incision in the membrane at the internal corner and neatly fold the overhang downward. This technique ensures a precise fit and maintains a cohesive finish throughout the installation.

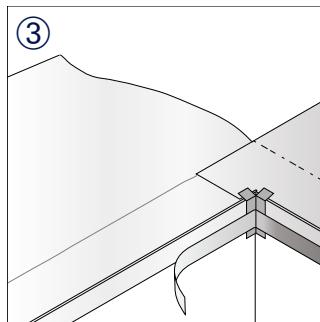


Don & Low Ltd, Glamis Road,
Forfar, Angus, DD8 1FR, Scot-
land, UK
Tel: +44(0)1307 452200 Fax:
+44 (0)1307 452201 email:
enquiries@donlow.co.uk
www.donlow.co.uk



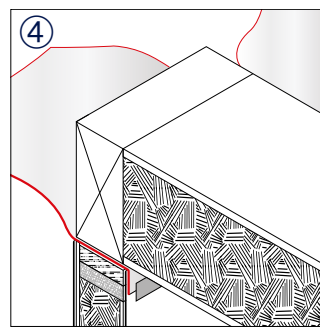
Step 2

Repeat the same procedure for the adjacent wall, sealing the vertical joint with a compact strip of 75mm wide proprietary air tightness tape to create an air seal.



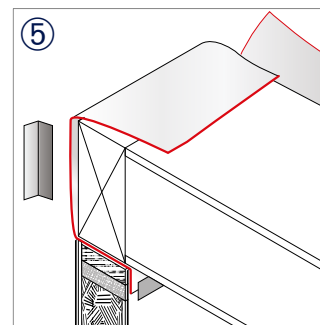
Step 3

Extend the membrane across the entire exterior span of the stud panel, using scissors to cut as necessary. Affix it firmly in place using staples and tape at the corners, following the method in step 2. Ensure proper integration by horizontally taping the protruding section of the FloorTX[®] FCM membrane to the airtightness barrier membrane of the wall.



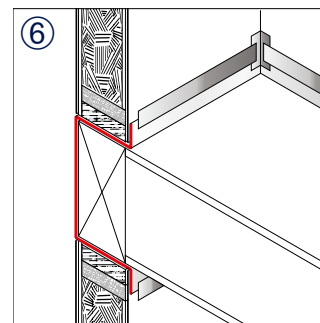
Step 4

Position the floor cassette.



Step 5

Lift the membrane and neatly fold it onto the upper surface of the floor deck. Next, apply a 75mm wide tape strip to securely seal the vertical junction at every external corner of the floor cassette.



Step 6

Once the adjacent wall frames are firmly in place, lift the FloorTX[®] FCM along the inner vertical surface of the wall. Make vertical incisions in the membrane at the corners and secure them with 75mm wide tape. Next, horizontally fasten the raised FloorTX[®] FCM to the airtightness barrier membrane of the wall using tape.



- ✓ Excellent resistance to water penetration
- ✓ Excellent water vapour transmission properties
- ✓ Fabric weight: 125g/m²

